

cp4/a touch panel



THE PERFECT FIT

Experience enhanced control capabilities, in a minimum of space, at a price well within your budget. The AXD-CP4/A and AXT-CP4/A 4" Touch Panels boast numerous innovations: a microphone, speakers, an IR receiver and non-translucent (solid) buttons.

ON THE BUTTON

External programmable buttons are positioned conveniently to the right side of the screen. Each touch panel comes with a pushbutton kit containing a total of eighteen buttons. They are easily interchangeable so you can put them in any order you desire. Each button position has an individually programmable LED.

INTERACTIVE FEATURES

At the top of the 4" Touch Panel, you will discover added features that include a microphone and speakers. Simply use the intercom for two-way communication. Press a button and listen to music in the next room. There is even an IR Receiver so you can use any AMX TXC Remote to activate the 4" Touch Panel.



cp4/a touch panel

AXD-CP4/A (FG5921-20,-21,-22,-30,-31)

DIMENSIONS (HWD):

- AXD-CP4/A: Housing: 4.586" x 5.337" x 1.870" (11.68 cm x 13.56 cm x 4.75 cm)
- AXT-CP4/A: Tabletop unit: 4.215" x 6.240" x 4.992" (10.72 cm x 15.85 mm x 12.67 mm)
- CB-CP4/A (FG033-10): Conduit/wallbox: 3.92" x 5.51" x 3.40" (10.39 cm x 13.99 cm x 8.64 cm)

WEIGHT:

- AXD-CP4/A: 2.23 lbs. (1.02 kg)
- AXT-CP4/A: 2.26 lbs. (1.03 kg)

ENCLOSURES:

- AXD-CP4/A: BackBox with black matte finish. Detachable front panel bezel are available in White (FG5921-22), Black (FG5921-20), and Almond (FG5921-21)
- AXT-CP4/A: Tabletop enclosure is available in either Dark Gray (FG5921-30) or Platinum (FG5921-31)

POWER CONSUMPTION:

- 770 mA @ 12 VDC

OPERATING ENVIRONMENT:

- Indoor operation at temperatures between 10° C (50° F) to 40° C (104° F) and a humidity range of 5% to 90% RH (non-condensing)

MEMORY:

- 512 KB of SRAM and 2 MB of Flash for a total memory of 2.5 MB (2 MB is available for buttons, icons, bitmaps, and fonts).

SCREEN RESOLUTION:

- 320 x 240 pixels (HV)

VIEWING ANGLE:

- Horizontal viewing angle: - /+50°
- Vertical viewing angle: - /+50°

IR RECEPTION ANGLE:

- 45° up on the AXT (30° on the AXD) from the horizontal plane
- 15° down on the AXT (30° on the AXD) from the horizontal plane
- 40° right of the vertical plane (both AXD and AXT units)
- 40° left of the vertical plane (both AXD and AXT units)

EXTERNAL BUTTONS:

- 6 inter-changeable external pushbuttons. Pushbutton assignments can include the typical Device/Channel numbers, Flip to Page option, and String/Macro. Buttons are used as interface tools that operate onscreen menus or turn On/Off the controlled equipment.

EXTERNAL LEDs:

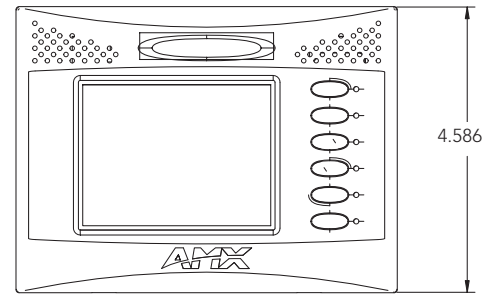
- External LEDs: 6 LEDs located alongside each external pushbutton. Independently operated and programmed.

BUTTONS:

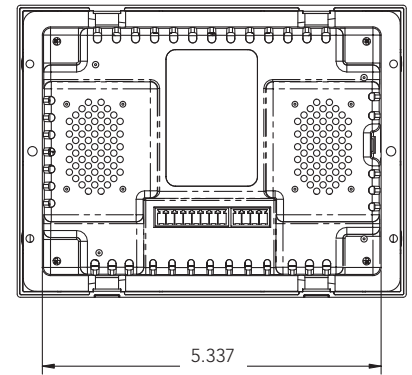
- Set of 18 changeable button caps consisting of: 6 blanks, 2 embossed with Up/Down arrows, and 10 engraved with standard icons. These buttons match the bezel coloring.
- AXD buttons: Black (60-5921-25)
Almond (60-5921-26)
White (60-5921-27)
- AXT buttons: Dark Gray (60-5921-37)
Platinum (60-5921-38)

BUTTON LABELS:

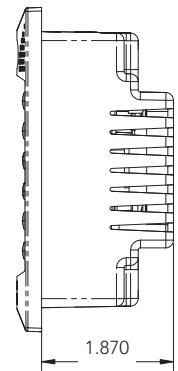
- 10 standard icon pre-printed buttons
- These buttons contain 10 icons covering the following functions: MENU, LIGHTS, AUDIO, VIDEO, ENVIRONMENT, SECURITY, INTER-COMM, MUTE, DRAPES, and POWER



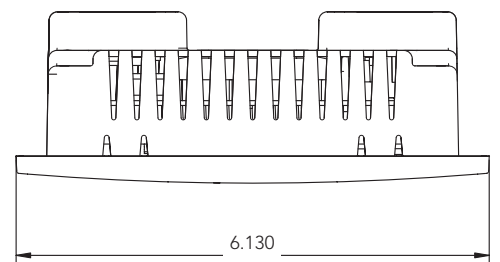
AXD-CP4/A (Front View)



AXD-CP4/A (Rear View)



AXD-CP4/A (Side View)



AXD-CP4/A (Top View)



IT'S YOUR WORLD. TAKE CONTROL.

ARGENTINA • AUSTRALIA • BELGIUM • BRAZIL • CANADA • CHINA • ENGLAND • FRANCE • GERMANY • GREECE • HONG KONG • INDIA • INDONESIA • ITALY • JAPAN
LEBANON • MALAYSIA • MEXICO • NETHERLANDS • NEW ZEALAND • PHILIPPINES • PORTUGAL • RUSSIA • SINGAPORE • SPAIN • SWITZERLAND • THAILAND • TURKEY • USA
ATLANTA • BOSTON • CHICAGO • CLEVELAND • DALLAS • DENVER • INDIANAPOLIS • LOS ANGELES • MINNEAPOLIS • PHILADELPHIA • PHOENIX • PORTLAND • SPOKANE • TAMPA
3000 RESEARCH DRIVE, RICHARDSON, TX 75082 • 800.222.0193 • 469.624.8000 • +1.469.624.7400 • 469.624.7153 fax • www.amx.com

cp4/a touch panel

LIGHT DETECTOR:

- Photosensitive light detector for adjustment of the panel brightness.

MOTION SENSOR (PIR):

- Proximity Infrared Detector to wake the panel when the panel is approached.
- Activation range: + 20° vertically from center and + 45° horizontally from center.

IR RECEIVER:

- 38 KHz, one-way IR reception (of AMX codes only)

MICROPHONE:

- Used for audio conferencing applications (intercom functionality)

SPEAKERS:

- Frequency response 450 Hz - 7 KHz

AXLINK/PWR:

- 4-pin 3.5 mm mini-Phoenix connector for communication to the AMX Central Controller providing both data and power

AUDIO:

- 8-pin 3.5 mm mini-Phoenix connector for audio input/output

PROGRAMMING PORT:

- 2.5 mm stereo female conductor jack (side mounted)

INSTALLATION KIT (AXD):

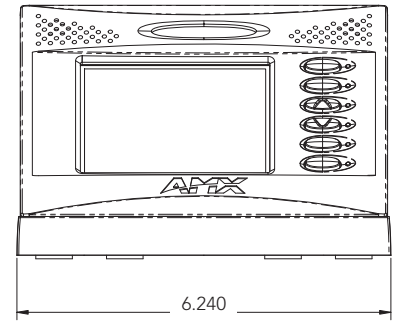
- 6 included blank buttons (pre-mounted into the AXD chassis)
- One bag containing 12 custom buttons (2 embossed/10 pre-printed)
- One 4-pin 3.5 mm mini-Phoenix data/power connector (41-5047)
- One 8-pin 3.5 mm mini-Phoenix audio connector (41-5083)
- Drywall clip set 2-drywall clamps and 2- #8 (2" long) screws (62-5924-05)
- Quick Start Guide (93-5921-01)
- One 2.5 mm stereo conductor programming cable (FG10-817)

INSTALLATION KIT (AXT):

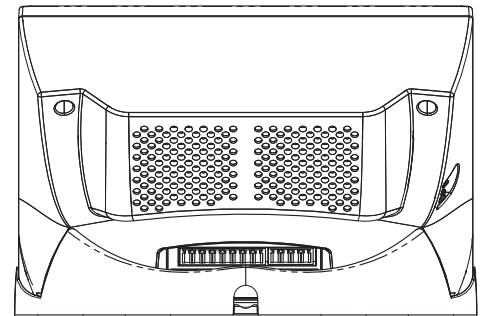
- 6 included blank buttons (pre-mounted into the AXT chassis)
- One bag containing 12 custom buttons (2 embossed/10 engraved)
- One 10' tabletop cable (CA-5921-01)
- Quick Start Guide (93-5921-01)
- One 2.5 mm stereo conductor programming cable (FG10-817)

OPTIONAL ACCESSORIES:

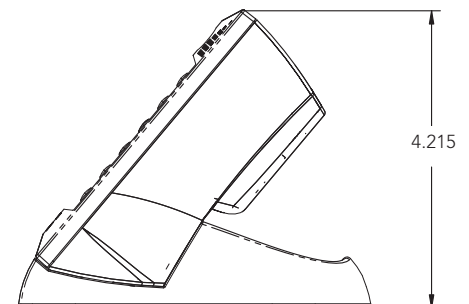
- PSN6.5 Power Supply (12 VDC) (FG423-41) (recommended for use on the CP4/A)
- CB-CP4/A (FG033-10) Conduit/wallbox (includes drywall clips and screws for installation to studs during the construction phase)
- Conduit/Wallbox should only be mounted to a beam before a drywall is installed (pre-wall)
- Access programming cable (DB9 to DB9), (FG10-727)



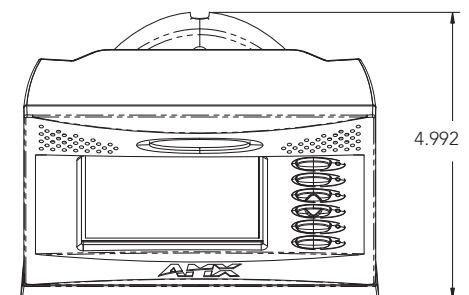
AXT-CP4/A (Front View)



AXT-CP4/A (Rear View)



AXT-CP4/A (Side View)



AXT-CP4/A (Top View)



IT'S YOUR WORLD. TAKE CONTROL.

ARGENTINA • AUSTRALIA • BELGIUM • BRAZIL • CANADA • CHINA • ENGLAND • FRANCE • GERMANY • GREECE • HONG KONG • INDIA • INDONESIA • ITALY • JAPAN
 LEBANON • MALAYSIA • MEXICO • NETHERLANDS • NEW ZEALAND • PHILIPPINES • PORTUGAL • RUSSIA • SINGAPORE • SPAIN • SWITZERLAND • THAILAND • TURKEY • USA
 ATLANTA • BOSTON • CHICAGO • CLEVELAND • DALLAS • DENVER • INDIANAPOLIS • LOS ANGELES • MINNEAPOLIS • PHILADELPHIA • PHOENIX • PORTLAND • SPOKANE • TAMPA
 3000 RESEARCH DRIVE, RICHARDSON, TX 75082 • 800.222.0193 • 469.624.8000 • +1.469.624.7400 • 469.624.7153 fax • www.amx.com