

mvp wall/flush mount docking station



WALL MOUNT FLEXIBILITY

The Modero® ViewPoint Wall/Flush Mount Docking Station (MVP-WDS) instantly transforms the wireless 7.5" and 8.4" Modero® ViewPoint (MVP) Touch Panels into surface mounted units.

POWER PACKED

The Wall/Flush Mount Docking Station comes equipped with an internal compartment for one or two spare batteries – out of sight yet always on hand and fully charged for when you need them. The MVP-WDS also delivers direct power to the MVP for recharging its batteries.

SAFE & SECURE

The Wall/Flush Mount Docking Station has an innovative anti-theft locking mechanism, which features a special security latch that maintains a tight grip on the panel. The MVP remains safe and secure at all times. Removing the panel is easy when you know the code. Press the security release button along the bottom of the docking station and the cradle smoothly glides forward.



mvp wall/flush mount docking station

MVP-WDS (FG5965-11-BLACK / FG5965-21-SILVER)

DIMENSIONS (HWD)

- 8.59" x 12.66" x 3.40"
(21.82 cm x 32.16 cm x 8.64 cm)
- With conduit box (HWD) 8.59" x 12.66" x 3.59"
(21.82 cm x 32.16 cm x 9.10 cm)

POWER

- MVP- WDS (stand-alone with no batteries): 0.1 A @ 12 VDC
- MVP-WDS (with 2 batteries charging): 2.1 A @ 12 VDC
- MVP-WDS (with no batteries, charging an MVP with 2 inserted batteries): 3.3 A @ 12 VDC
- MVP-WDS (with 2 batteries and charging an attached MVP panel's two internal batteries): 3.3 A @ 12 VDC

WEIGHT

- MVP-WDS (stand alone): 4.67 lbs (1.89 kg)
- MVP-WDS with 2 batteries: 5.86 lbs (2.66 kg)

CHARGING FEATURES

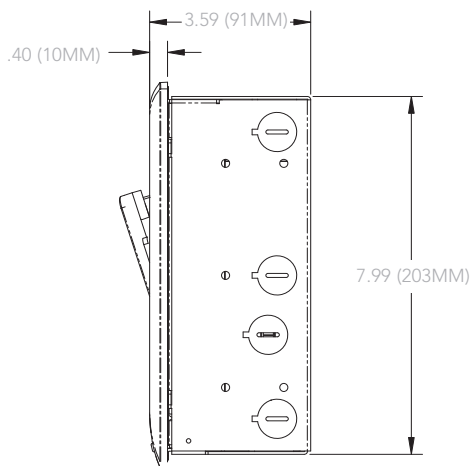
- 2-Bays: Sequential Charging
- Charge time for two depleted batteries – 5 hours

FRONT PANEL COMPONENTS

- Security Latch: Adds a second layer of security when mounting the MVP. When the MVP is inserted, this latch grabs onto the rear of the MVP and secures it from angling forward
- Interface Connector Pins: A set of retractable pins that connect to the underside MVP connector strip. This connection provides both communication and power between the MVP and the WDS.
- MVP Support Cradle: This retractable mechanism supports a resisting MVP panel and allows a user to either insert or remove a connected MVP panel.
- LEDs: Two (2) blue LEDs indicators:
 - Left LED monitors the battery status within either the MVP-WDS or MVP
 - Right LED monitors the communication between the MVP-WDS and MVP
- Security Release pushbutton: Located on the front of the unit, this pushbutton toggles an on-screen numeric keypad

REAR CONNECTORS

- Battery Compartment: Houses up to two (2) MVP-BP batteries.
- Host USB Connectors: Two (2) type A USB ports connect an external keyboard and mouse for use with the G4 Computer Control application.
- Power Connector: 2-pin 3.5 mm mini-Phoenix



MVP-WDS
(Right Side-In Conduit Box)

OPERATING /STORAGE ENVIRONMENTS

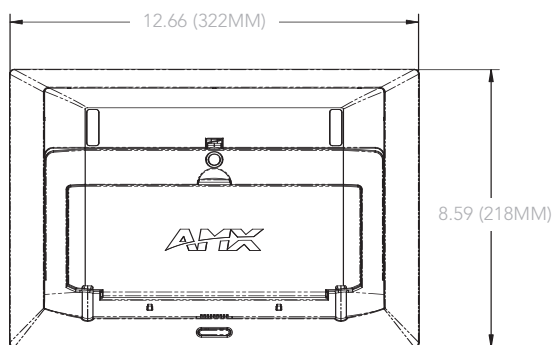
- Operating Temperature: 0° C (32° F) to 40° C (104° F)
- Operating Humidity: 20% - 85% RH
- Storage Temperature: -20° C (-4° F) to 60° C (140° F)
- Storage Humidity: 5% - 85% RH

INCLUDED ACCESSORIES

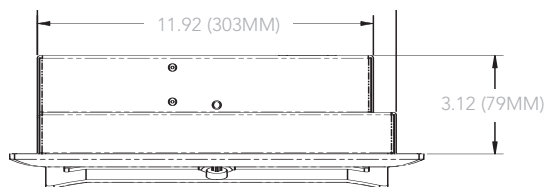
- Quick Start Guide (93-5965-11)

OPTIONAL ACCESSORIES

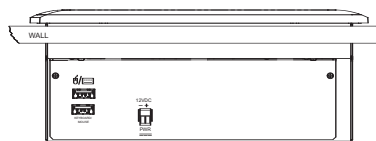
- CB-MVPWDS Conduit Box (FG037-10)
- MVP-7500: 7.5" Modero ViewPoint Touch Panel (FG5965-01)
- MVP-8400: 8.4" Modero ViewPoint Touch Panel (FG5965-02)
- MVP-BP: spare battery pack (FG5965-20)
- PSN4.4: 2-pin 3.5 mm mini-Phoenix Power Supply (FG423-45)
- PSN6.5: 2-pin 3.5 mm mini-Phoenix Power Supply (FG423-41)



MVP-WDS (Front View)



MVP-WDS
(Top View-In Conduit Box)



MVP-WDS (Bottom View)



IT'S YOUR WORLD. TAKE CONTROL.