

## Modero® Touch Panels

# 5" Modero Wall/Flush Mount Touch Panel



The NXD-CV5 combines incredibly compact size, wall/flush mount flexibility and powerful control features.

In places where space is critical, the 5" Modero integrates a small footprint and a 16x9 aspect ratio for advanced multimedia viewing capability and one-touch control options.

#### COMMON APPLICATION

Designed to fit discreetly on the wall, the 5" Modero Widescreen is the perfect solution for small spaces, such as home foyers and hallways, kitchens, bedrooms, and bathrooms or other surface mount locations like lecterns and podiums.

#### FEATURES

- 5" active-matrix display with 16:9 aspect ratio
- Screen Resolution (HW): 800 x 480 pixels
- Display colors: 256K (18-bit color depth)
- Anti-glare Overlay
- Supports analog stereo audio, Composite Video and S-Video with optional NXA-AVB/Ethernet Breakout Box
- Playback of MP3 and WAV audio files
- Built-in Speakers (2) and microphone
- Motion Sensor (PIR) and Light Sensor
- 128 MB SDRAM / 256 MB CompactFlash Memory or more
- Wired 10/100 Ethernet



## NXD-CV5 (FG2261-01)

### DIMENSIONS (HWD)

Device: 4 1/8" x 5 9/16" x 3 1/4" (10.5 cm x 14.2 cm x 8.2 cm)

### WEIGHT

2.65 lbs (1.20 kg)

### POWER REQUIREMENTS

- Constant current draw: 650 mA @ 12 VDC
- Startup current draw: 1.3 A @ 12 VDC

### MEMORY

- 128 MB SDRAM
- 256 MB CompactFlash

### PANEL LCD PARAMETERS

- Aspect ratio: 16 x 9
- Brightness (luminance): 170 cd/m<sup>2</sup>
- Channel transparency: 8-bit Alpha blending
- Contrast ratio: 250:1
- Display colors: 256K colors (18-bit color depth)
- Dot/pixel pitch: 0.14 mm
- Panel type: TFT Color Active-Matrix
- Screen Resolution: 800 x 480 pixels (HV) @ 60 Hz frame frequency
- Video format: NTSC, MPAL, PAL, and SECAM
- Viewing dimensions: 4.3" x 2.58" (109.2 mm x 65.2 mm)

### VIEWING ANGLE

Up/Down/Left/Right: 85/85/85/85

### IR RECEPTION ANGLE

- Horizontal: + 25° (left and right from center)
- Vertical: + 15° (up and down from center)

### MOTION SENSOR (PIR) ACTIVATION

- Horizontal: + 25° (left and right from center)
- Vertical: + 15° (up and down from center)

### SUPPORTED AUDIO SAMPLE RATES

48000Hz, 44100Hz, 32000Hz, 24000Hz, 22050Hz, 16000Hz, 12000Hz, 11025Hz, and 8000Hz

### FRONT PANEL

- Light Sensor: Photosensitive light detector for automatic adjustment of the panel brightness
- Motion Sensor (PIR): Proximity Infrared Detector to wake the panel when panel is approached.
- IR Receiver: 38 KHz and 455 KHz AMX IR frequencies
- Sleep Button: Pushbutton (grey) provides both access to the Setup and Calibration page and toggles the panel between a "sleep" or "wake" state
- Microphone: Used for intercom applications (requires the NXA-AVB/ETHERNET Breakout Box for analog communication)
- Speakers: Stereo output with a frequency response of 500 Hz - 7 KHz
- Buttons: 6 programmable pushbuttons

### SIDE PANEL CONNECTORS

- Power: 2-pin 3.5 mm mini-Phoenix connector
- Ethernet 10/100 Port: Single RJ-45 port for 10/100 Mbps communication. LEDs show communication activity,

- connections, speeds, and mode information: L/A-link/activity - Green LED lights On when the Ethernet cables are connected and terminated correctly and then blinks when receiving Ethernet data packets. SPD-speed - Yellow LED lights On when the connection speed is 100 Mbps and turns Off when the speed is 10 Mbps.
- Stereo Output Connector: Stereo output through a 3.5mm minijack (for use with external speakers or headphones)
- Mini-USB Connector: 5-pin Mini-USB connector used for programming, firmware update, and touch panel file transfer between the PC and the target panel
- USB Connector: Type A USB port connects an external keyboard or mouse device for use with Virtual PC applications
- Audio/Video Connector: RJ-45 connection for A/V signals (via CAT5) between the NXA-AVB/ETHERNET Breakout Box and the panel

### CERTIFICATIONS

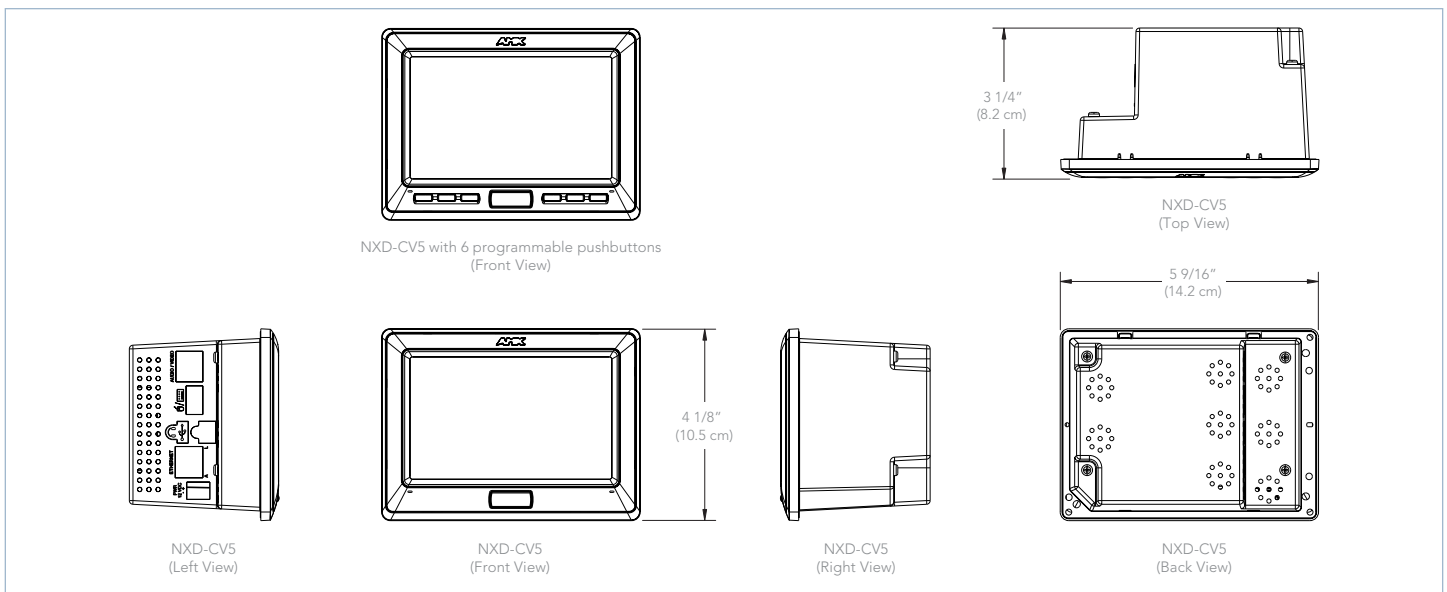
- FCC Part 15 Class B
- CE
- IEC 60950

### ENVIRONMENTAL

- Operating Temperature: 0° C (32° F) to 40° C (104° F)
- Operating Humidity: 20% to 85% RH
- Storage Temperature: -20° C (-4° F) to 60° C (140° F)
- Storage Humidity: 5% to 85% RH

### INCLUDED ACCESSORIES

- Installation Kit (KA2261-01)
- Trim Ring without button openings (60-2261-05)



IT'S YOUR WORLD. TAKE CONTROL.