

Modero® Touch Panels

12" Modero Video Touch Panel



Whether you need powerful video processing, ample on-screen real estate or versatile mounting options - the 12" Modero Standard fits the bill. The included Video Kit allows composite video signals to be input to the Panel for excellent video reproduction. The Modero user interface reveals crisp, clear pictures and sound, state-of-the-art graphics and a user-friendly format for integrating and automating audio, video, and on-screen dynamic images.

DIGITAL STREAMING

Powered by a DSP core, the 12" Modero Touch Panel has the muscle to handle digital streaming – both composite video and audio, in wired or wireless configurations. The 12" Modero features full support for standard MPEG-2 video and audio.

ALL ETHERNET

As with all next generation Modero panels, the 12" Modero uses industry-standard Ethernet connectivity for both wired and wireless networking. Integration and installation have never been easier.

- 12" color active-matrix display with 4:3 aspect ratio
- Screen Resolution (HW): 800 x 600 pixels
- Display colors: 262K (24-bit color depth)
- Channel transparency: 8-bit Alpha channel transparency
- Supports analog stereo audio, composite and S-Video signals
- Streaming MPEG-2 video/audio, Network Video - Motion JPEG
- Video formats: NTSC, PAL and SECAM
- VNC via AMX's exclusive G4 Computer Control
- Built-in Speakers (2) and microphone
- Motion Sensor (PIR) and Light Sensor
- 256 MB SDRAM / 128 MB CompactFlash Memory (upgradeable)
- Wired 10/100 Ethernet



NXT-1200V (FG2250-60K)**NXD-1200V (FG2251-60K)****DIMENSIONS (HWD)**

- NXD-1200V (with faceplate): 12 5/16" x 12 9/16" x 3 1/4"
(31.4 cm x 32 cm x 8.3 cm)
- NXT-1200V (fully raised): 10 15/16" x 12 5/16" x 12 1/2"
(27.7 cm x 31.3 cm x 31.8 cm)
- NXT-1200V (fully lowered): 6 3/4" x 12 5/16" x 12 1/2"
(17.2 cm x 31.3 cm x 31.8 cm)
- CB-TP12 (conduit/wallbox): 11 1/2" x 11 5/8" x 3 1/2"
(29.3 cm x 29.5 cm x 8.9 cm)
- MB-TP12 (VESA mounting box): 12 3/8" x 12 5/8" x 3 1/2"
(31.4 cm x 32 cm x 8.9 cm)

POWER

12" Modero Video Panels (full draw): 2.1 A @ 12 VDC (stand-alone)

MEMORY

- 256 MB on-board memory
- 128 MB Compact Flash (upgradeable to 1 GB factory programmed)

WEIGHT

- NXD-1200V: 10.80 lbs (4.90 kg)
- NXT-1200V: 10.80 lbs (4.90 kg)

LCD PARAMETERS

- Aspect Ratio: 4:3
- Brightness (luminance): 250 cd/m²
- Channel transparency: 8-bit Alpha channel transparency
- Contrast ratio: 300:1
- Display area (HW): 183.10 mm x 247.40 mm
- Display colors: 256K (18-bit color depth)
- Dot/pixel pitch: 0.297 mm
- Screen resolution (HV): 800 x 600
- Video formats: NTSC, PAL, and SECAM (shown within variable-size video windows)
- Viewing angles (160° total viewing angle):
 - Horizontal: + 80° (left and right from center)
 - Vertical: + 80° (up and down from center)

SUPPORTED AUDIO SAMPLE RATES

48000Hz, 44100Hz, 32000Hz, 24000Hz, 22050Hz, 16000Hz, 12000Hz, 11025Hz, and 8000Hz

CERTIFICATIONS

FCC, CE, and EN60950

FRONT PANEL COMPONENTS

- Light Sensor: Photosensitive light detector for automatic adjustment of the panel brightness
- Motion Sensor (PIR): Proximity Infrared Detector to wake the panel when panel is approached
- Front Setup Access Button: Pushbutton (gray) used to either put the panel into a "sleep" or "wake" state
- Microphone: Used for intercom applications
- Speakers: Stereo output with a frequency response of 450 Hz - 7 KHz

REAR PANEL COMPONENTS

- Audio/Video Connector: RJ-45 connector for communication of differential audio/video signals
- Ethernet 10/100 Port: RJ-45 port for 10/100 Mbps communication
- PWR Connector: 2-pin 3.5 mm mini-Phoenix connector
- Stereo Output Connector: Stereo output through a 3.5mm mini-jack
- USB Connector: Two Type A USB ports
- Mini-USB Connector: 5-pin Mini-USB connector

OPERATING / STORAGE ENVIRONMENTS

- Operating Temperature: 10° C (50° F) to 40° C (104° F)
- Operating Humidity: 20% to 85% RH
- Storage Temperature: -20° C (-4° F) to 60° C (140° F)
- Storage Humidity: 5% to 85% RH

INCLUDED ACCESSORIES

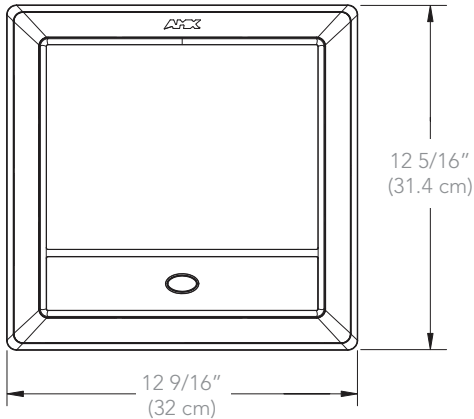
- Installation Kit for 12" and 17" NXD panels (KA2251-01):
 - 2-pin mini-Phoenix connector (41-5025)
 - Three Phillips-head screws (#4-20 x 0.250 Black) (80-0114-08)
 - One CAT5 Suppression Ferrites (04-0014)
 - Four Drywall clips (62-5924-05) and #6-metal strips (80-0192)
- Installation Kit for 12" NXT panels (KA2251-03):
 - 2-pin mini-Phoenix connector (41-5025)
 - Three Phillips-head screws (#4-20 x 0.250 Black) (80-0114-08)
 - Two CAT5 Suppression Ferrites (04-0014)
- Modero Table Top Cable (CA2250-50)
 - Provided with all NXT Table Top panels
- NXA-AVB/ETHERNET Breakout Box (FG2254-10)

OPTIONAL ACCESSORIES

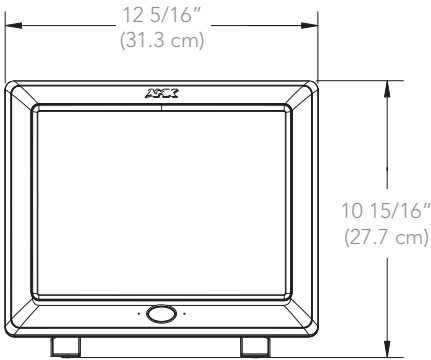
- CB-TP12 Conduit/Wallbox (FG031-10)
- CC-USB (Type A) to Mini-B 5-Wire programming cable (FG10-5965)
- Kensington Lock Kit (FG2259-10) (optional only with NXT models)
- MB-TP12 Universal VESA Mounting Box for NXD panels (FG031-50):
 - Black metallic VESA back box (62-0031-50)
 - Black plastic cover (with grommet opening) (60-0031-50)
 - Strain relief grommet (45-0004-03)
 - Four Phillips pan-head screws (#8-32 x 0.50 Black) (80-0146-02)
 - Twelve Under-cut Phillips-head screws (#6-32 x 0.500 Black) (80-0139)
- NXA-BASE/B (FG2255)
- NXA-PCI80211G Wireless Card (FG2255-04)
- NXA-RK12 Rackmount kit for 12" Wall Mount panels (FG2904-50)
- NXT-BP (FG2250-10)
- NXT-CHG (FG2250-50)
- PSN6.5 Power Supply (12 VDC) (FG423-41)
- Upgrade Compact Flash (factory programmed with firmware):
 - NXA-CFTPV256M - 256 MB compact flash card (FG2116-43)
 - NXA-CFTPV512M - 512 MB compact flash card (FG2116-44)
 - NXA-CFTPV1G - 1 GB compact flash card (FG2116-45)



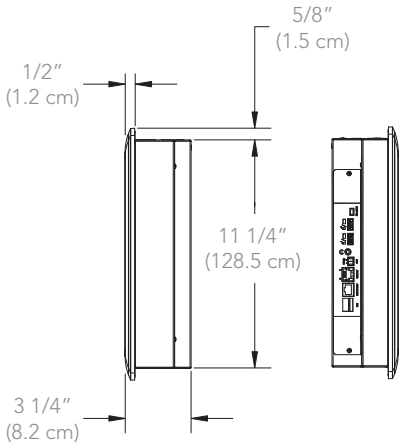
IT'S YOUR WORLD. TAKE CONTROL.



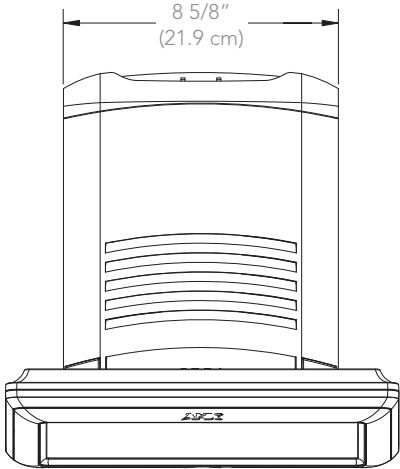
NXD-1200V
(Front View)



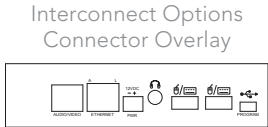
NXT-1200V
(Front View)



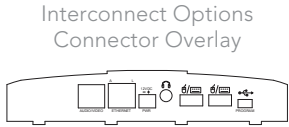
NXD-1200V
(Right & Left Views)



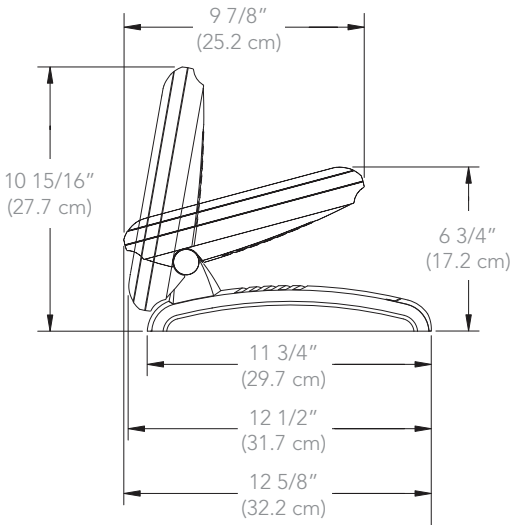
NXT-1200V
(Top View)



NXD-1200VG
NXD-1200V



NXT-1200VG
NXT-1200V



NXT-1200V
(Right View)



IT'S YOUR WORLD. TAKE CONTROL.