

# Modero® Touch Panels

## 17" Modero Multimedia Widescreen Touch Panel



While its crowning achievement is a full 17 inches of available touch screen real estate, the 17" Modero VG Series Touch Panel's ultra wide user interface comfortably displays multiple video windows while navigating other on-screen control functions simultaneously. Video, Internet access, camera windows and control icons can be positioned as desired, anywhere on screen. And the included RGB or Video Kit allows component or composite video signals and audio signals to be input for superior audiovisual reproduction. When it comes to screen size and capability, nothing compares to the largest touch panel display in the Modero family.

### DIGITAL STREAMING

Powered by a DSP core, the 17" Modero Multimedia Touch Panel has the muscle to handle high quality digital streaming – both component video for superior video reproduction and audio, in wired or wireless configurations. The 17" Modero features full support for standard MPEG-2 video and audio.

- 17" active-matrix display with 16:9 aspect ratio
- Screen Resolution (HW): 1280 x 768 pixels
- Display colors: 16 million colors (24-bit color depth)
- Channel transparency: 8-bit Alpha channel transparency
- Supports analog stereo audio and RGB/component(with RGB Kit) or composite/S-Video signals (with Video Kit)
- Streaming MPEG-2 video/audio, Network Video - Motion JPEG
- Video formats: NTSC, PAL and SECAM
- Built-in Speakers (2) and microphone
- Motion Sensor and Light Sensor
- 256 MB SDRAM / 128 MB CompactFlash Memory (upgradeable)
- Wired 10/100 Ethernet



## NXT-1700VG (FG2257-61) NXD-1700VG (FG2256-61)

### DIMENSIONS (HWD)

- NXD-1700VG (with faceplate): 14 7/16" x 18 1/16" x 3 5/16" (31.4 cm x 32.0 cm x 8.3 cm)
- NXT-1700V (fully raised): 13 5/16" x 17 13/16" x 12 7/16" (33.8 cm x 45.3 cm x 31.6 cm)
- NXT-1700V (fully lowered): 6 1/4" x 17 13/16" x 12 7/16" (15.8 cm x 45.3 cm x 31.6 cm)
- CB-TP17 (conduit/wallbox): 13 1/2" x 17 1/16" x 3 1/2" (34.4 cm x 43.4 cm x 8.9 cm)
- MB-TP17 (VESA mounting box): 14 7/16" x 18 1/16" x 3 1/2" (36.7 cm x 46.0 cm x 8.8 cm)

### POWER

17" Modero Panels (full draw): 4.5 A @ 12 VDC  
(stand-alone)

### MEMORY

- 256 MB on-board memory
- 128 MB Compact Flash (upgradeable to 1 GB factory programmed)

### WEIGHT

- NXD-1700VG: 18.20 lbs (8.26 kg)
- NXT-1700VG: 22.00 lbs (9.98 kg)

### LCD PARAMETERS

- Aspect Ratio: 16:9
- Brightness (luminance): 450 cd/m<sup>2</sup>
- Channel transparency: 8-bit Alpha channel transparency
- Contrast ratio: 600:1
- Display colors: 16 million colors (24-bit color depth)
- Dot/pixel pitch: 0.289 mm
- Screen resolution (HV): 1280 x 768 pixels
- Video formats: NTSC, PAL, and SECAM (shown within variable-size video windows)
- Viewing angles (170° total viewing angle):
  - Horizontal: + 85° (left and right from center)
  - Vertical: + 85° (up and down from center)

### SUPPORTED AUDIO SAMPLE RATES

48000Hz, 44100Hz, 32000Hz, 24000Hz, 22050Hz, 16000Hz, 12000Hz, 11025Hz, and 8000Hz

### CERTIFICATIONS

FCC, CE, and EN60950

### FRONT PANEL COMPONENTS

- Light Sensor: Photosensitive light detector for automatic adjustment of the panel brightness
- Motion Sensor (PIR): Proximity Infrared Detector to wake the panel when panel is approached
- Front Setup Access Button: Pushbutton (gray) used to either put the panel into a "sleep" or "wake" state
- Microphone: Used for intercom applications
- Speakers: Stereo output with a frequency response of 450 Hz - 7 kHz

### REAR PANEL COMPONENTS

- RGB Connector: Made available only by using an NXA-RGB interface card installed within the touch panel. Used with Component/RGB signals
- Audio/Video Connector: RJ-45 connector for communication of differential audio/video signals
- Ethernet 10/100 Port: RJ-45 port for 10/100 Mbps communication
- PWR Connector: 2-pin 3.5 mm mini-Phoenix connector
- Stereo Output Connector: Stereo output through a 3.5mm mini-jack
- USB Connector: Two Type A USB ports
- Mini-USB Connector: 5-pin Mini-USB connector

### OPERATING / STORAGE ENVIRONMENTS

- Operating Temperature: 10° C (50° F) to 40° C (104° F)
- Operating Humidity: 20% to 85% RH
- Storage Temperature: -20° C (-4° F) to 60° C (140° F)
- Storage Humidity: 5% to 85% RH

### INCLUDED ACCESSORIES

- Installation Kit for 12" and 17" NXD panels (KA2251-01):
  - 2-pin mini-Phoenix connector (41-5025)
  - Three Phillips-head screws (#4-20 x 0.250 Black) (80-0114-08)
  - One CAT5 Suppression Ferrites (04-0014)
  - Four Drywall clips (62-5924-05) and #6-metal strips (80-0192)
- Installation Kit for 15" and 17" NXT panels (KA2251-04):
  - 2-pin mini-Phoenix connector (41-5025)
  - Three Phillips-head screws (#4-20 x 0.250 Black) (80-0114-08)
  - One CAT5 Suppression Ferrites (04-0014)
- Included within the RGB Kit (FGxxx-xxRGB) is the following:
  - Modero VG Touch Panel (NXD/NXT-1200/1500/1700VG)
  - NXA-AVB/RGB Breakout Box (FG2254-11)
  - NXA-RGB internal RGB/VGA Interface Card (FG2260)
  - NXA-MTC/RGB Modero 10' foot Table Top Cable (with RGB connector) (CA2250-70)
  - TP4-RGBCBL BNC to RGB adapter cable (FG2275-30)
- Included within the Video Kit (FGxxx-xV) is the following:
  - Modero VG Touch Panel (NXD/NXT-1200/1500/1700VG)
  - Modero 10' foot Table Top Cable (CA2250-50)
  - NXA-AVB/ETHERNET Breakout Box (FG2254-10)

### OPTIONAL ACCESSORIES

- CB-TP17 Conduit/Wallbox (FG034-10)
- CC-USB (Type A) to Mini-B 5-Wire programming cable (FG10-5965)
- Kensington Lock Kit (FG2259-10)  
(optional only with NXT models)
- MB-TP17 Universal VESA Mounting Box for NXD panels (FG033-50):
- NXA-AVB/ETHERNET Breakout Box (FG2254-10)
- NXA-AVB/RGB Breakout Box (FG2254-11)

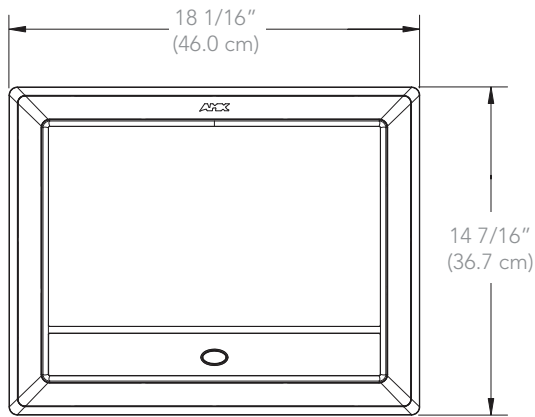
- NXA-BASE/B (FG2255)
- NXA-MTC/RGB Modero 10' foot Table Top Cable (with RGB connector) (CA2250-70). This cable is not wall-rated for NXD models.
- NXA-RGBKIT RGB upgrade kit for Composite Video touch panels (FG2255-11):
  - NXA-AVB/RGB Breakout Box (FG2254-11)
  - NXA-MTC/RGB Modero 10' foot Table Top Cable (with RGB connector) (CA2250-70)
  - NXA-RGB internal RGB/VGA Interface Card (FG2260)
  - TP4-RGBCBL BNC to RGB adapter cable (FG2275-30)
  - NXT Table Top replacement I/O plate (with RGB connector opening) (62-2250-59)
  - NXD WallMount replacement adhesive overlay for existing I/O plate (53-2250-03)

Note: The NXT replacement I/O plate is a single piece which is meant to be swapped-out with the pre-existing plate shipped with Composite Video panels. On NXD panels, the RGB connector opening is pre-drilled into the I/O plate but can only be accessed by replacing the adhesive cover and maintaining the existing overlay. When upgrading NXD panels with this kit, don't replace the NXD I/O plate, only the adhesive cover.

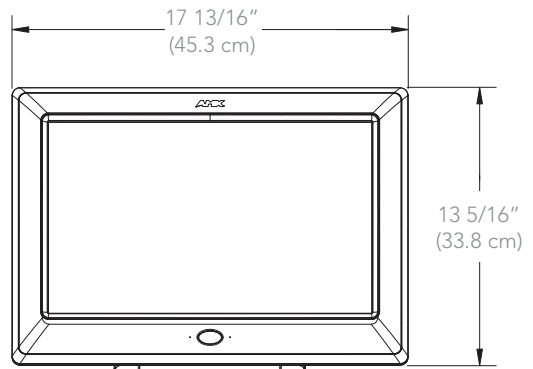
- NXA-PCI80211G Wireless Card (FG2255-04)
- NXA-RK17 Rackmount kit for 17" Wall Mount panels (FG2904-52)
- NXT-BP (FG2250-10)
- NXT-CHG (FG2250-50)
- PSN6.5 Power Supply (12 VDC) (FG423-41)
- TP4-RGBCBL BNC to RGB adapter cable (FG2275-30)
- Upgrade Compact Flash (factory programmed with firmware):
  - NXA-CFTPV256M - 256 MB compact flash card (FG2116-43)
  - NXA-CFTPV512M - 512 MB compact flash card (FG2116-44)
  - NXA-CFTPV1G - 1 GB compact flash card (FG2116-45)



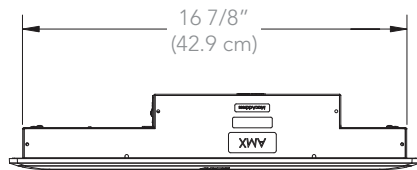
IT'S YOUR WORLD. TAKE CONTROL.



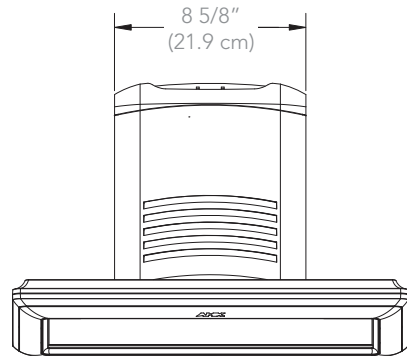
NXD-1700VG  
(Front View)



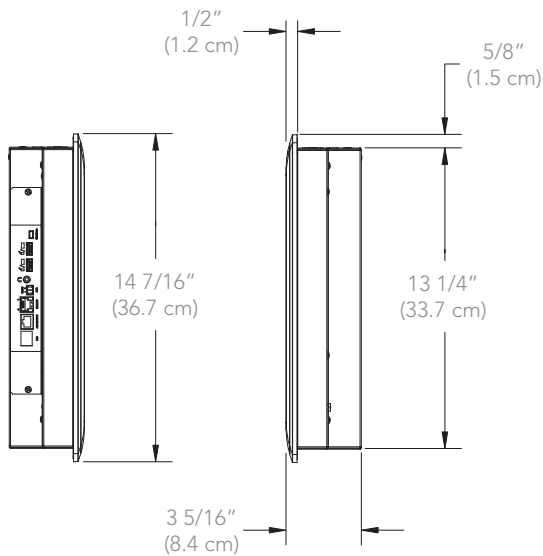
NXT-1700VG  
(Front View)



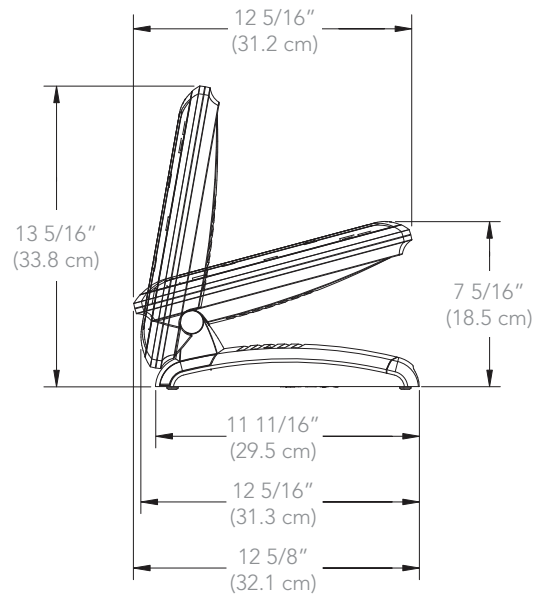
NXD-1700VG  
(Front View)



NXT-1700VG  
(Top View)



NXD-1700VG  
(Left & Right Views)



NXT-1700VG  
(Right View)



IT'S YOUR WORLD. TAKE CONTROL.