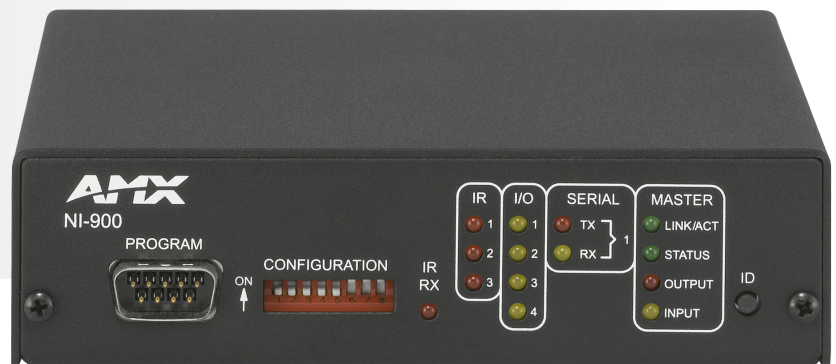


NetLinx® Controllers

NI-900 NetLinx® Integrated Controller



The NI-900 unit is designed to control and automate a variety of devices in single rooms or multiple small rooms and is capable of supporting devices with a variety of communication formats. It is configured to control a limited number of lights, thermostats, video displays and other equipment.

COMMON APPLICATION

Perfect for single rooms or two or more small rooms with a limited number of devices such as home theaters, MDUs, hotel rooms and other environments.

FEATURES

- 1 Configurable RS-232 / RS-422 / RS-485 Serial port
- 3 IR / Serial ports
- 1 IR Receiver Port
- 4 Digital I/O ports
- 2 Communication Networks: AxLink and Ethernet (TCP/IP)
- 404 MIPS processor speeds
- 64 MB RAM
- 32 MB Flash Memory
- 512 KB Non-Volatile Memory
- AMX Device Discovery enabled
- JITC Compliant



NI-900 (FG2105-90)

DIMENSIONS (HWD)

- 1 9/16" x 5 9/16" x 5 1/8" (4.01 cm x 14.10 cm x 13 cm)
- RU: 1

WEIGHT

1.30 lbs (590 g)

POWER

- 300 mA @ 12 VDC
- Power requirements are usage dependant

ENCLOSURE

Metal with black matte finish

ONBOARD MASTER

304 MIPS

CERTIFICATIONS

FCC Part 15 Class B, CE, and IEC 60950

FRONT PANEL COMPONENTS:

- Program Port
- Configuration DIP Switch: Sets the communication parameters for the Program port
- IR RX LED: Red LED lights when IR data is being received via the rear IR RX port
- IR LEDs: Three red LEDs light during the transmission of IR or Serial data via the rear IR port
- I/O LEDs: Four yellow LEDs light when the rear I/O channels 1 - 4 are active. LED indicator for each I/O port reflects the state of that particular port
- Serial LEDs
- LINK/ACT: Green LED lights when the Ethernet cable is connected and an active link is established. This LED also blinks when receiving Ethernet data packets
- Status: Green LED lights when the Controller is programmed and communicating properly
- Output: Red LED lights when the Controller transmits data, sets channels sends data strings, etc.
- Input: Yellow LED lights when the Controller receives data from button pushes, strings, commands, channel levels, etc.
- ID Pushbutton: Sets the NetLinx ID (Device only) assignment for the device

REAR PANEL COMPONENTS

- RS-232/422/485 (Port 1)
- IR RX (Port 6)
- Digital I/O (Port 5)
- IR/Serial (Ports 2-4)
- AxLink LED
- AxLink Port: 4-pin 3.5 mm mini-Phoenix (male) connector provides data and power to external control devices
- Ethernet Port: RJ-45 port for 10/100 Mbps communication. LEDs show communication activity, connection status, speeds, and mode information: - SPD (speed) - Yellow LED lights On when the connection speed is 100 Mbps and turns Off when the speed is 10 Mbps. - L/A (link/activity) - Green LED lights On when the Ethernet cables are connected and terminated correctly, and blinks when receiving Ethernet data packets.
- Power Port: 2-pin 3.5 mm mini-Phoenix (male) connector

ENVIRONMENTAL

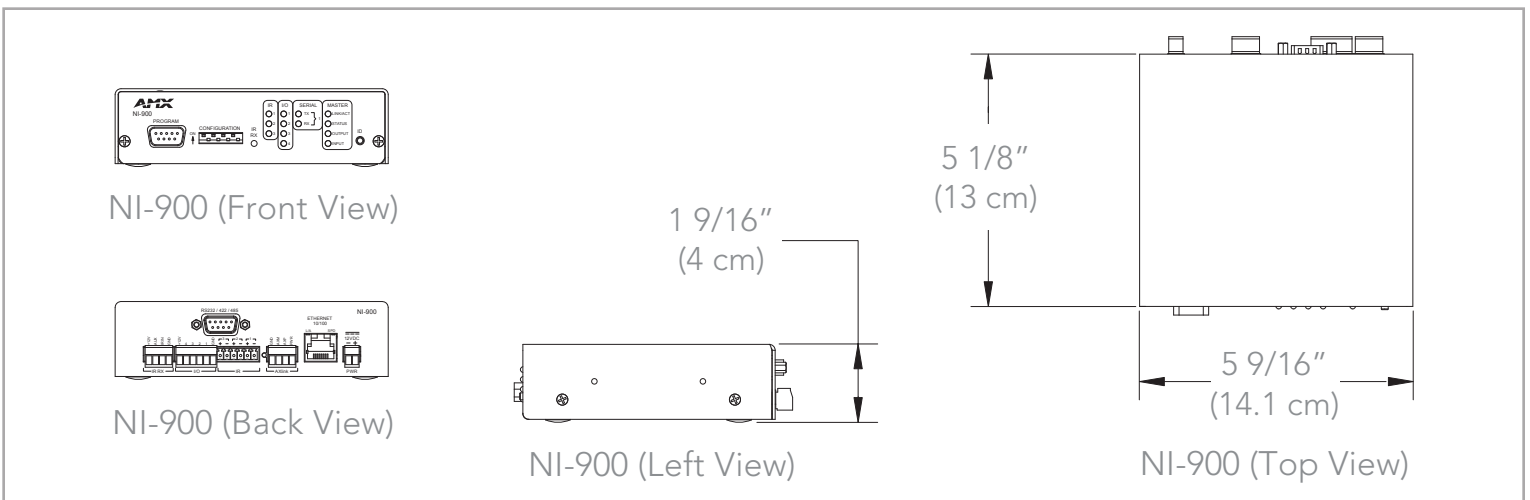
- Operating Temperature: 0° C (32° F) to 50° C (122° F)
- Operating Humidity: 20% to 85% RH
- Heat Dissipation (Typical): 12.3 BTU/hr

INCLUDED ACCESSORIES

- 2-pin 3.5 mm mini-Phoenix female PWR connector (41-5025)
- 6-pin 3.5 mm mini-Phoenix female I/O connector (41-5063)
- Three CC-NIRC IR Emitters
- Two 4-pin 3.5 mm mini-Phoenix female connectors (41-5047)

RECOMMENDED ACCESSORIES

- PSN6.5 - 6.5 A Power Supply (F423-41)
- PSN4.4 - 4.4 A Power Supply (F423-45)
- AC-RK - Accessory Rack Kit (FG515)
- AC-SMB - Surface Mounting Bracket (FG525)
- AC-PMB - Pole Mounting Bracket (FG531)
- CC-232 - RS-232/422 Cables (FG10-752-04)
- CC-NIRC - IR Cables (FG10-000-11)



IT'S YOUR WORLD. TAKE CONTROL.